



Worldwide Distributors

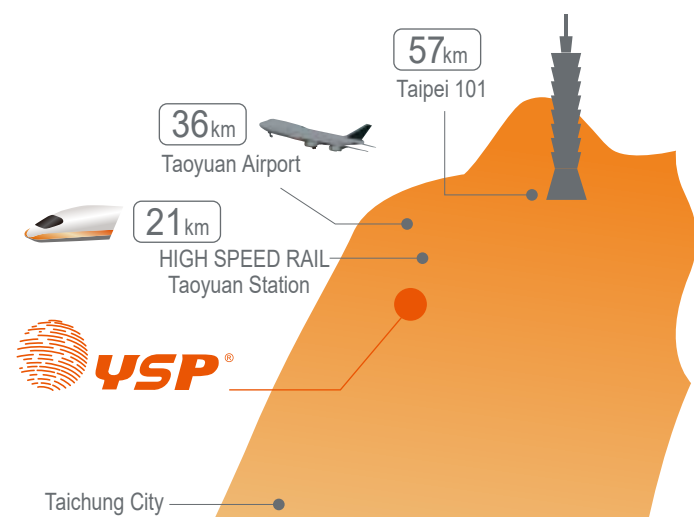
CNC Vertical Lathe

The Power To Turn The World



YU SHINE PRECISION MACHINE CO., LTD.

No. 538, Sioucai Rd., Yangmei Dist.,
Taoyuan City 326, Taiwan
Tel: +886-3-288-8899
Fax: +886-3-288-8866
E-mail: inquiry@yssp.tw
<http://www.yssp.tw>



Taichung City



YU SHINE PRECISION MACHINE





Yu Shine Precision Machine established in 1983, a Taiwan manufacturer specialize in CNC Vertical Lathe with high quality and customize solution. The goal is to provide top machines and suitable application for customers, nowadays Yu Shine Precision has successful reference over 50 countries around the world. Yu Shine is established and headed by Sheng-Hung, Fu who have over 50 years of experience in machine tools industry.

Customers are looking for machines not only with good quality but also with complete solutions, our products are flexible and always consider as a customer mind, we are dedicated to provide products with higher productivity, quality, precision and will keep developing new products to fulfill the customer needs.

---By Sheng-Hung, Fu

YSP Double Column / Heavy Duty Vertical Lathe Series Model Number Coding

2	VL	1600	ATC	+C	+APC
2 : Double RAM _ : Single RAM	VL : Crossbeam Movable Type VLF : Crossbeam Fixed Type VLT : Crossbeam Movable Type (Economic Type)	Table Dia. Ø800~5000 mm	Umbrella Type Tool Magazine	+C : With Live Tool _ : Without Live Tool	+APC : With Auto Pallet Changer _ : Without Auto Pallet Changer

YSP High Speed Vertical Lathe Series Model Number Coding

2	VL	600	HR	+P
2 : Twin Turret _ : Single Turret	VL : Bullet Type Spindle VLGT : Table Bearing+ Gear Transmission	Cutting Dia. Ø350~1150 mm	R : Right Side + Linear Guideway L : Left Side + Linear Guideway HR : Right Side + Boxway HL : Left Side + Boxway	+P : With Power Turret +V6 : With Vertical Turret _ : Hydraulic Turret
	VLR	850	ATC	+C
	VLR : Roller Guide Way VLGH : Roller GuideWay+ Table Bearing+ Gear Transmission	Cutting Dia. Ø750~1150 mm	Umbrella Type Tool Magazine	+C : With Live Tool _ : Without Live Tool

Remark : More customize specification please check with YSP sales

Double Column Heavy Duty Vertical Lathe

VL-3000~5000ATC/+C

Heavy Duty Vertical Lathe

VL-1000~2500ATC/+C

2VL Series

2VL-2000~3000ATC/+C

APC Series

VL-800~5000ATC/+C+APC

VLF Series

VLF-1000~1600ATC/+C

VLT Series

VLT-1200~2000ATC/+C

High Speed Vertical Lathe

R / L Series

VL-350~1000R/+P

HR / HL Series

VL-600~1100HR/+P

VLGT Series

VLGT-750~1150HR/+P

VLR Series

VLR-850~1000ATC

VLGH Series

VLGH-750~1150ATC/+C

Others

Tapping Center

TDM Series

Twin Turret Lathe

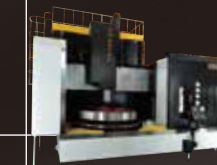
2VLT Series

Double Spindle Horizontal Lathe

HL-12LR

Turning & Grinding Machine for Disc

YS-3W-3SG



Double Column Heavy Duty Vertical Lathe

- Spindle Motor 60/75 , 75/100 kw
- AC Digital Servo & Spindle Drives
- Two Speed Gear Box for Spindle Motor
- C axis Motor 11 /15 , 15/18 , 18.5/22kw
- Gearbox for C axis Spindle Motor
- Fast 12/16/32/60/90 Stations ATC System
- 4/8 Jaws Manual Rotary Table
- Automatic Balancing System
- Encoder for Rotary Spindle
- Crossrail Navigation & Positioning
- Absolute Positioning Encoders
- Precision Hardened & Ground Ballscrews
- 280 x 280 RAM Cross Section
- Boxway Construction
- Operator Friendly Swivel Control Panel
- 8.4/10.4" LCD Monitor with Dynamic Graphic
- RS-232C Interface
- Oil/Water Separator
- Lift Up Style Chip Conveyor
- Automatic Lubrication System
- Oil Cooled Chiller for Spindle Gearbox
- Chiller for Electrical Cabinet



VL-3000ATC+C



Rugged Meehanite® Casting

VL-3000ATC

Max. Swing Dia. ϕ 3500 mm
 Max. Turning Dia. ϕ 3400 mm
 Max. Turning Height 1650 mm
 Spindle Motor 60 / 75 kw (α 60 Hvi)

VL-4000ATC

Max. Swing Dia. ϕ 5000 mm
 Max. Turning Dia. ϕ 5000 mm
 Max. Turning Height 2500 mm
 Spindle Motor 100 kw (α 100 Hvi)

VL-5000ATC

Max. Swing Dia. ϕ 6000 mm
 Max. Turning Dia. ϕ 6000 mm
 Max. Turning Height 3500 mm
 Spindle Motor 100 kw (α 100 Hvi)

VL-3000ATC+C

Max. Swing Dia. ϕ 3500 mm
 Max. Turning Dia. ϕ 3400 mm
 Max. Turning Height 1650 mm
 Spindle Motor 60 / 75 kw (α 60 Hvi)
 C Axis Motor 11 / 15 kw (α 12 Hvi)

VL-4000ATC+C

Max. Swing Dia. ϕ 5000 mm
 Max. Turning Dia. ϕ 5000 mm
 Max. Turning Height 2500 mm
 Spindle Motor 100 kw (α 100 Hvi)
 C Axis Motor 11 / 15 kw (α 12 Hvi)

VL-5000ATC+C

Max. Swing Dia. ϕ 6000 mm
 Max. Turning Dia. ϕ 6000 mm
 Max. Turning Height 3500 mm
 Spindle Motor 100 kw (α 100 Hvi)
 C Axis Motor 11 / 15 kw (α 12 Hvi)



VL-4000ATC+C

Heavy Duty Vertical Lathe

- Spindle Motor 37/45 kw
- AC Digital Servo & Spindle Drives
- Two Speed Gear Box for Spindle Motor
- C axis Motor 7.5/11 ,11/15 ,15/18 ,18.5/22 kw
- Gearbox for C axis Spindle Motor
- Fast 12/16/32/60/90 Stations ATC System
- 4 Jaws Manual Rotary Table
- Automatic Balancing System
- Encoder for Rotary Spindle
- Crossrail Navigation & Positioning
- Absolute Positioning Encoders
- Precision Hardened & Ground Ballscrews
- 250 x 250 / 280 x 280 RAM Cross Section
- Boxway Construction
- Operator Friendly Swivel Control Panel
- 8.4" / 10.4" LCD Monitor with Dynamic Graphic
- RS-232C Interface
- Oil/Water Separator
- Lift Up Style Chip Conveyor
- Automatic Lubrication System
- Oil Cooled Chiller for Spindle Gearbox
- Chiller for Electrical Cabinet



Grinding Head Drilling Head 90° Milling Head Capto System



Rugged Meehanite® Casting



VL-1000ATC+C

VL-800ATC /+C

Table Dia.	ø800 mm
Max. Swing Dia.	ø1100 mm
Max. Turning Dia.	ø1000 mm
Max. Turning Height	700 mm
Max. Load on Table	3000 kg
Spindle Motor	37 / 45 (60 / 75) kw
C Axis Motor	7.5 / 11 (11 / 15) kw

VL-1000ATC/+C

Table Dia.	ø1000 mm
Max. Swing Dia.	ø1350 mm
Max. Turning Dia.	ø1150 mm
Max. Turning Height	1070 mm
Max. Load on Table	4000 kg
Spindle Motor	37 / 45 (60 / 75) kw
C Axis Motor	7.5 / 11 (11 / 15) kw

VL-1200ATC/+C

Table Dia.	ø1250 mm
Max. Swing Dia.	ø1600 mm
Max. Turning Dia.	ø1350 mm
Max. Turning Height	1350 mm
Max. Load on Table	5000 kg
Spindle Motor	37 / 45 (60 / 75) kw
C Axis Motor	7.5 / 11 (11 / 15) kw

VL-1600ATC/+C

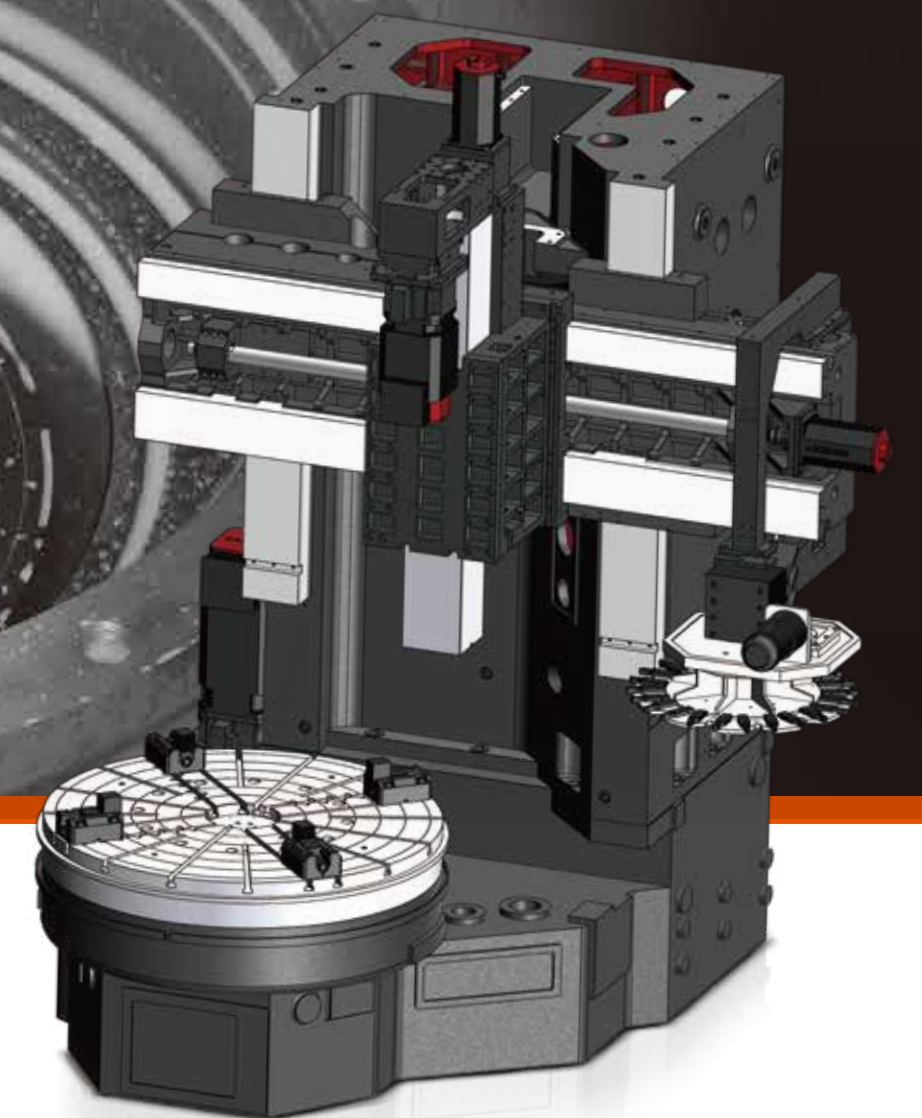
Table Dia.	ø1600 mm
Max. Swing Dia.	ø2000 mm
Max. Turning Dia.	ø1800 mm
Max. Turning Height	1350 mm
Max. Load on Table	8000 kg
Spindle Motor	37 / 45 (60 / 75) kw
C Axis Motor	7.5 / 11 (11 / 15) kw

VL-2000ATC/+C

Table Dia.	ø2000 mm
Max. Swing Dia.	ø2500 mm
Max. Turning Dia.	ø2300 mm
Max. Turning Height	1700 mm
Max. Load on Table	10000 kg
Spindle Motor	60 / 75 (100) kw
C Axis Motor	11 / 15 (15 / 18) kw

VL-2500ATC/+C

Table Dia.	ø2500 mm
Max. Swing Dia.	ø3000 mm
Max. Turning Dia.	ø2800 mm
Max. Turning Height	1700 mm
Max. Load on Table	15000 kg
Spindle Motor	60 / 75 (100) kw
C Axis Motor	11 / 15 (15 / 18) kw



CNC Vertical Lathe

APC series



	VL-800ATC/+C	VL-1000ATC/+C	VL-1200ATC/+C
Table Dia.	ø800 mm	ø1000 mm	ø1250 mm
Max. Swing Dia.	ø1100 mm	ø1350 mm	ø1600 mm
Max. Turning Dia.	ø1000 mm	ø1150 mm	ø1350 mm
Max. Turning Height	700 mm	800 mm	1000 mm
Max. Load on Table	3000 kg	2400 kg	3000 kg
Spindle Motor	37 / 45 kw	37 / 45 kw	37 / 45 kw
C Axis Motor	7.5/11(11/15) kw	7.5/11(11/15) kw	7.5/11(11/15) kw

	VL-1600ATC/+C	VL-2000 ATC/+C	VL-2500ATC/+C
Table Dia.	ø1600 mm	ø2000 mm	ø2500 mm
Max. Swing Dia.	ø2000 mm	ø2500 mm	ø3000 mm
Max. Turning Dia.	ø1800 mm	ø2300 mm	ø2800 mm
Max. Turning Height	1000 mm	1300 mm	1300 mm
Max. Load on Table	4500 kg	5800 kg	7500 kg
Spindle Motor	37 / 45 kw	60 / 75 kw	60 / 75 kw
C Axis Motor	7.5/11(11/15) kw	11/15 kw	11/15 kw

	VL-3000ATC/+C	VL-4000 ATC/+C	VL-5000ATC/+C
Table Dia.	ø3000 mm	ø4000 mm	ø5000 mm
Max. Swing Dia.	ø3500 mm	ø5000mm	ø6000 mm
Max. Turning Dia.	ø3400 mm	ø5000 mm	ø6000 mm
Max. Turning Height	1200 mm	2500 mm	3500 mm
Max. Load on Table	11000 kg	40000 kg	50000 kg
Spindle Motor	60 / 75 kw	100 kw	100 kw
C Axis Motor	11/15 kw	14 kw	14 kw

CNC Vertical Lathe

2VL series



	2VL-2000ATC/+C	2VL-2500ATC/+C	2VL-3000ATC/+C
Table Dia.	ø2000 mm	ø2500 mm	ø3000 mm
Max. Swing Dia.	ø2500 mm	ø3000 mm	ø3500 mm
Max. Turning Dia.	ø2300 mm	ø2800 mm	ø3400 mm
Max. Turning Height	1700 (2100) mm	1700 (2100) mm	1650 (2150/2650)
Max. Load on Table	10000 kg	15000 kg	20000 kg
Spindle Motor	60 / 75 (100) kw	60 / 75 (100) kw	60 / 75 (100) kw
C Axis Motor	11/15 kw	11/15 kw	11/15 kw

	VLT-1200ATC/+C	VLT-1600ATC/+C	VLT-2000ATC/+C
Table Dia.	ø1250 mm	ø1600 mm	ø2000 mm
Max. Swing Dia.	ø1600 mm	ø2000 mm	ø2500 mm
Max. Turning Dia.	ø1350 mm	ø1800 mm	ø2300 mm
Max. Turning Height	1300 mm	1300 mm	1700 mm
Max. Load on Table	5000 kg	8000 kg	10000 kg
Spindle Motor	37 / 45 kw	37 / 45 kw	60 / 75 kw
C Axis Motor	7.5/11 kw	7.5/11 kw	7.5/11 kw

	VLF-800ATC/+C	VLF-1000ATC/+C	VLF-1200ATC/+C	VLF-1600ATC/+C
Table Dia.	ø800 mm	ø1000 mm	ø1250 mm	ø1600 mm
Max. Swing Dia.	ø1100 mm	ø1350 mm	ø1600 mm	ø2000 mm
Max. Turning Dia.	ø1000 mm	ø1150 mm	ø1350 mm	ø1800 mm
Max. Turning Height	500/800/1050 mm	500/800/1050 mm	650/1050/1450 mm	650/1050/1450 mm
Max. Load on Table	4000 kg	4000 kg	5000 kg	8000 kg
Spindle Motor	37/45 kw	37 / 45 kw	37 / 45 kw	37 / 45 kw
C Axis Motor	7.5/11 kw	7.5/11 kw	7.5/11 kw	7.5/11 kw

High Speed Vertical Lathe

VL-R / L series

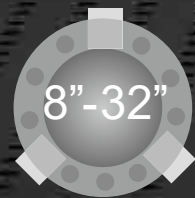
- Spindle Motor 18.5/22 , 37/45 kw
- AC Digital Servo & Spindle Drives
- Fast V6/8/10/12 Turret
- 3 jaw Power Chuck with Dual High / Low Pressure
- Absolute Positioning Encoders
- High Pressure Pump
- Precision Hardened & Ground Ballscrews
- Linear Guideway Construction
- 8.4"/10.4"LCD Monitor with Dynamic Graphic
- RS-232C Interface
- Operator Friendly Swivel Control Panel
- Heat Exchanger for Electrical Cabinet
- Lift Up Style Chip Conveyor
- Automatic Lubrication System
- Air Gun
- Oil/Water Separator
- Safety Door



VL-850R/+P



Rugged Meehanite® Casting



VL-350R/L/+P

Max. Swing Dia. ø450 mm
 Max. Turning Dia. ø350 mm
 Max. Turning Height 400 mm
 Spindle Motor αP18 (9/11) kw

VL-750R/L/+P

Max. Swing Dia. ø780 mm
 Max. Turning Dia. ø750 mm
 Max. Turning Height 650 (800 opt.) mm
 Spindle Motor αP40 (18.5/22) kw

VL-450R/L/+P

Max. Swing Dia. ø550 mm
 Max. Turning Dia. ø450 mm
 Max. Turning Height 450 mm
 Spindle Motor αP40 (18.5/22) kw

VL-850R/L/+P

Max. Swing Dia. ø1000 mm
 Max. Turning Dia. ø850 mm
 Max. Turning Height 750 (950 opt.) mm
 Spindle Motor αP40 (18.5/22) kw

VL-600R/L/+P

Max. Swing Dia. ø650 mm
 Max. Turning Dia. ø600 mm
 Max. Turning Height 500 mm
 Spindle Motor αP40 (18.5/22) kw

VL-1000R/L/+P

Max. Swing Dia. ø1200 mm
 Max. Turning Dia. ø1000 mm
 Max. Turning Height 750 (950 opt.) mm
 Spindle Motor αP40 (18.5/22) kw

High Speed Vertical Lathe

VL-HR / HL series

- Spindle Motor 18.5/22 , 37/45 , 60/75kw
- AC Digital Servo & Spindle Drives
- Fast V6/8/10/12 Turret
- 3 jaw Power Chuck with Dual High/Low Pressure
- Absolute Positioning Encoders
- High Pressure Pump
- Z Axis Counter Weight with Double Screw
- Precision Hardened & Ground Ballscrews
- Box way Construction
- 8.4" LCD Monitor with Dynamic Graphic
- RS-232C Interface
- Operator Friendly Swivel Control Panel
- Heat Exchanger for Electrical Cabinet
- Lift Up Style Chip Conveyor
- Automatic Lubrication System
- Air Gun
- Oil/Water Separator
- Safety Door



VL-750HR+P



Twin Star



Rugged Meehanite® Casting



VL-600HR/HL+P

Max. Swing Dia. ø650 mm
 Max. Turning Dia. ø600 mm
 Max. Turning Height 500 mm
 Spindle Motor αP40 (18.5/22) kw

VL-1000HR/HL+P

Max. Swing Dia. ø1200 mm
 Max. Turning Dia. ø1000 mm
 Max. Turning Height 750 (950 opt.) mm
 Spindle Motor α40 (37/45) kw

VL- 750HR/HL+P

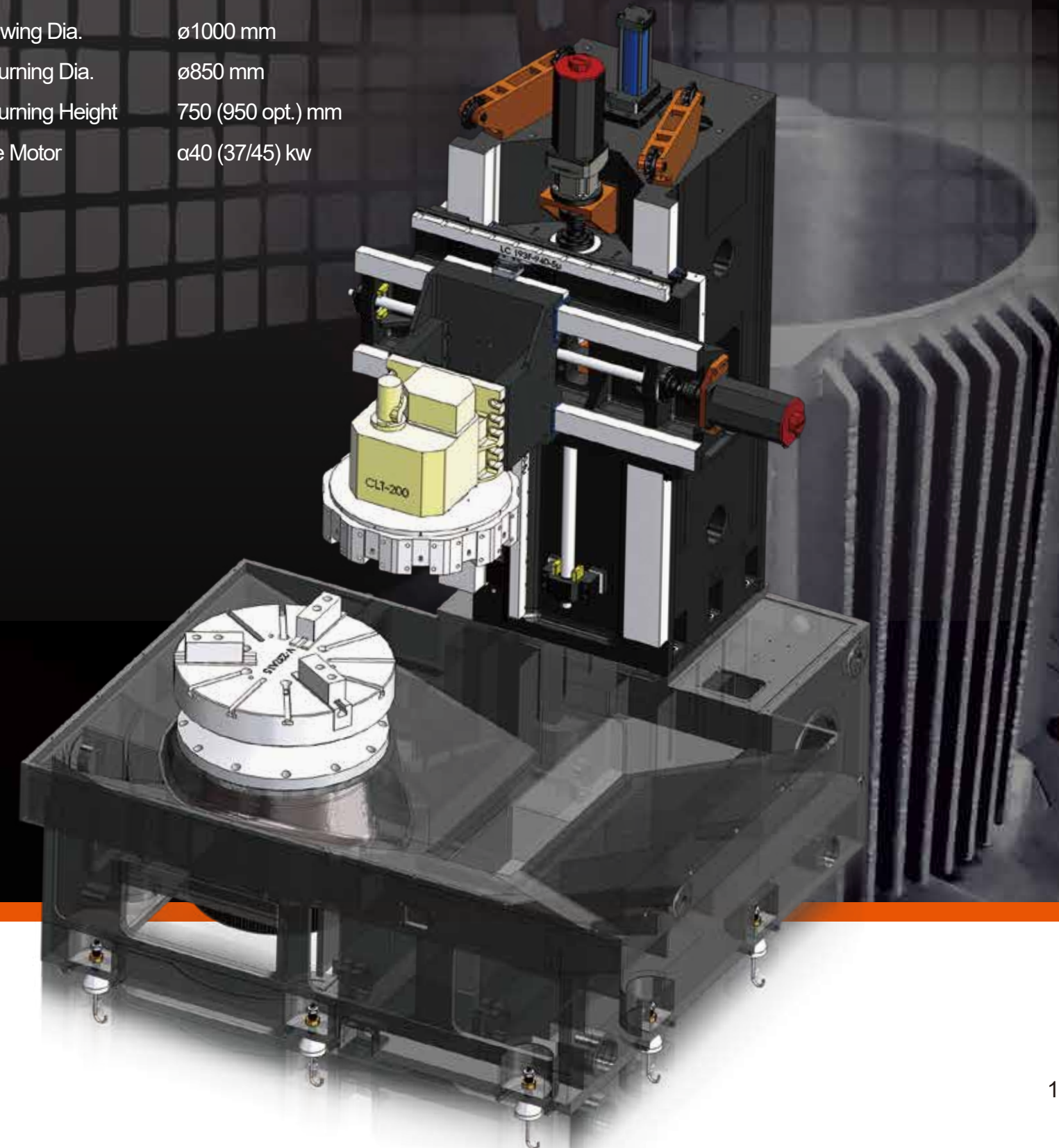
Max. Swing Dia. ø780 mm
 Max. Turning Dia. ø750 mm
 Max. Turning Height 650 (800 opt.) mm
 Spindle Motor αP40 (18.5/22) kw

VL-1100HR/HL+P

Max. Swing Dia. ø1250 mm
 Max. Turning Dia. ø1100 mm
 Max. Turning Height 1000 mm
 Spindle Motor α40 (37/45) kw

VL-850HR/HL+P

Max. Swing Dia. ø1000 mm
 Max. Turning Dia. ø850 mm
 Max. Turning Height 750 (950 opt.) mm
 Spindle Motor α40 (37/45) kw



High Speed Vertical Lathe

High Speed Vertical Lathe

VLGT series

VLGT-750HR/+P

Max. Swing Dia. 780 mm
 Max. Turning Dia. 750 mm
 Max. Turning Height 650 mm
 Spindle Motor α P40 (18.5/22) kw

VLGT-900HR/+P

Max. Swing Dia. ϕ 1050 mm
 Max. Turning Dia. ϕ 900 mm
 Max. Turning Height 750 mm
 Spindle Motor α P40 (18.5/22) kw

VLGT-1150HR/+P

Max. Swing Dia. ϕ 1250 mm
 Max. Turning Dia. ϕ 1150 mm
 Max. Turning Height 1000 mm
 Spindle Motor α 40 (37/45) kw



High Speed Vertical Lathe

VLR series

VLR-850ATC

Max. Swing Dia. ϕ 1000 mm
 Max. Turning Dia. ϕ 850 mm
 Max. Turning Height 800 mm
 Spindle Motor α P40 (18.5/22) kw

VLR-1000ATC

Max. Swing Dia. ϕ 1200 mm
 Max. Turning Dia. ϕ 950 mm
 Max. Turning Height 800 mm
 Spindle Motor α 40 (37/45) kw



High Speed Vertical Lathe

VLGH series

VLGH-750ATC/+C

Max. Swing Dia. ϕ 780 mm
 Max. Turning Dia. ϕ 750 mm
 Max. Turning Height 650 mm
 Spindle Motor α P40 (18.5/22) kw

VLGH-950ATC/+C

Max. Swing Dia. ϕ 1100 mm
 Max. Turning Dia. ϕ 950 mm
 Max. Turning Height 800 mm
 Spindle Motor α P40 (18.5/22) kw

VLGH-1150ATC/+C

Max. Swing Dia. ϕ 1250 mm
 Max. Turning Dia. ϕ 1150 mm
 Max. Turning Height 1000 mm
 Spindle Motor α 40 (37/45) kw



Rugged Meehanite® Casting



Other Type of Machine

Twin Turret

2VLT series



	2VLT-130	2VLT-170	2VLT-220
Max. Swing Dia.	ø600 mm	ø900 mm	ø1100 mm
Max. Turning Dia.	ø450 mm	ø650 mm	ø800 mm
Max. Turning Height	300 mm	400 mm	450 mm
Spindle Motor	37 / 45 kw	37 / 45 kw	37 / 45 kw

Turning&Grinding Machine

3W

3W-3SG

Max.Swing Diameter	900 mm
Max.Cutting Diameter	650 mm
Max.Cutting Height	400 mm
Spindle Motor	37/45 kw
Number of Tool	5 Tools



Tapping Center

TDM series



	TDM-433 (BT30)	TDM-168 (BT 40)
Table Working Area (LxW)	600 x 400 mm	600 x 400 mm
Spindle Nose to Table Top (H)	570 mm	570 mm
Max. Loading Capacity	200 kg	210 kg
T-slot (Size x No.)	18 mm x 3	18 mm x 3
Spindle Motor	3.7 kw	5.5 kw

Dual Spindle Machine

HL series

HL-12LR

Spindle Distance	600 mm (23.62")
Max. Cutting Length	250 mm (9.84")
No. of Turret Division	8 station x 2
O.D. Knife Handle	□25 mm (0.98")
I.D. Knife Handle	Ø40 mm (1.57")
Spindle Motor	15 / 18 kw x 2



High Speed Vertical Lathe

Heavy Duty Vertical Lathe



VLGT Series
VLGT-750~1150HR/+P



VLGH Series
VLGH-750~1150ATC/+C

