



The Ultimate in Performance

MU Series

**MU-450/650
5 Axes Machining Center**

LEADWELL
LEADWELL CNC MACHINES MFG., CORP.

LEADWELL CNC MACHINES MFG., CORP.



No. 23 Gong 33th Road, Taichung Industrial Park
Taichung 407, Taiwan
T: 886 - 4 - 23591880
F: 886 - 4 - 23592555, 886 - 4 - 23593875

www.leadwell.com.tw

* All performance are based on 220V/3PH/60HZ. Specifications are subject to change without notice.

2017.05

5 AXES MACHINING CENTERS

MU Series machining centers offers 5 axis simultaneous machining capability. The design with 2-axis rotary table to fit your machining condition and application to give you the best product result.

Target Industries:

Aerospace, Medical engineering

Applications:

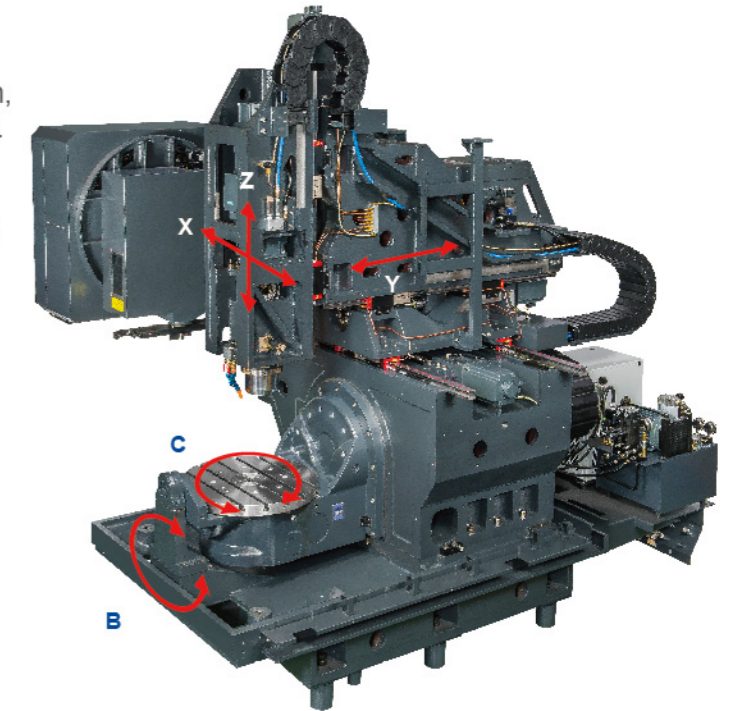
Simultaneous 5-axis machining or 3+2 axis processing method



STRUCTURE

Optimum Structural Design

- X、Y、Z moving column design, with B, C axis rotary table. Creates optimum floor space.
- Direct drive spindle design reduce the spindle running noise and vibration. Also increases the motor transmission efficiency.
- The rotary uses one side driving two side handling design, provides higher table load capacity and rotation accuracy.
- To ensure the machine rigidity and accuracy during long term heavy cutting, the spindle headstock is made of one piece "FCD600" castings.



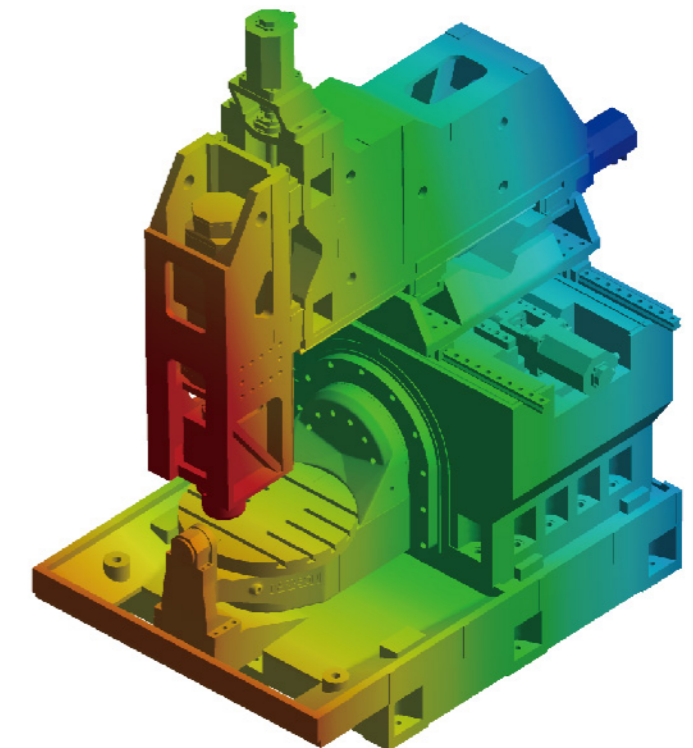
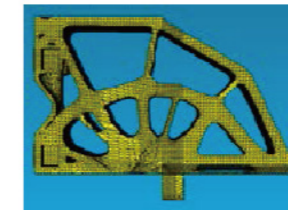
FEA REPORT(Finite Element Analysis)

With FEA you can:

1. Predict and improve product performance and reliability.
2. Reduce physical prototyping and testing.
3. Evaluate different designs and materials.
4. Optimize designs.

Optimum

- Section areas
- Moments of inertia
- Torsional constant
- Plate thickness
- Bending stiffness
- Transverse shear
- Vibration reduce



MAIN FEATURES

1. High Rigidity

- FEA Analysis.
- Optimized structure for stable moving.
- Dual nuts ball screw design in X and Yaxis.
- Three axis roller type high rigidity guide way.
- 4 sets of bearings transmission system design.
- B axis motor driving by gear design.

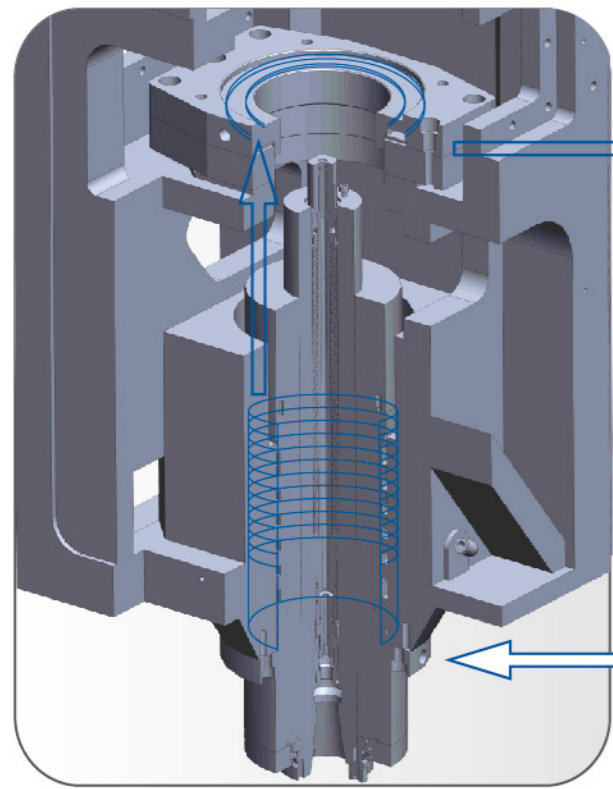
2. High Reliability

- Ball screw nuts cooling system available.
- Ball screw bearing lubrication system design.
- Linear scale (X/Y/Z) & rotary encoder (B/C) available.
- Magnetic scale available.
- Surrounding coolant system.

3. High Efficiency

- Rapid feed rate 36mm.
- Spindle speed 12,000 RPM.
- 5 axis machining simultaneously.

DIRECT DRIVE SPINDLE COOLANT SYSTEM



- For the machining accuracy, the direct drive spindle system with special coolant system design, connects with spindle and motor adaptor cooling function, suppressed the heat source generated from the motor side.
- Spindle oil chiller (STD.)

Coolant out

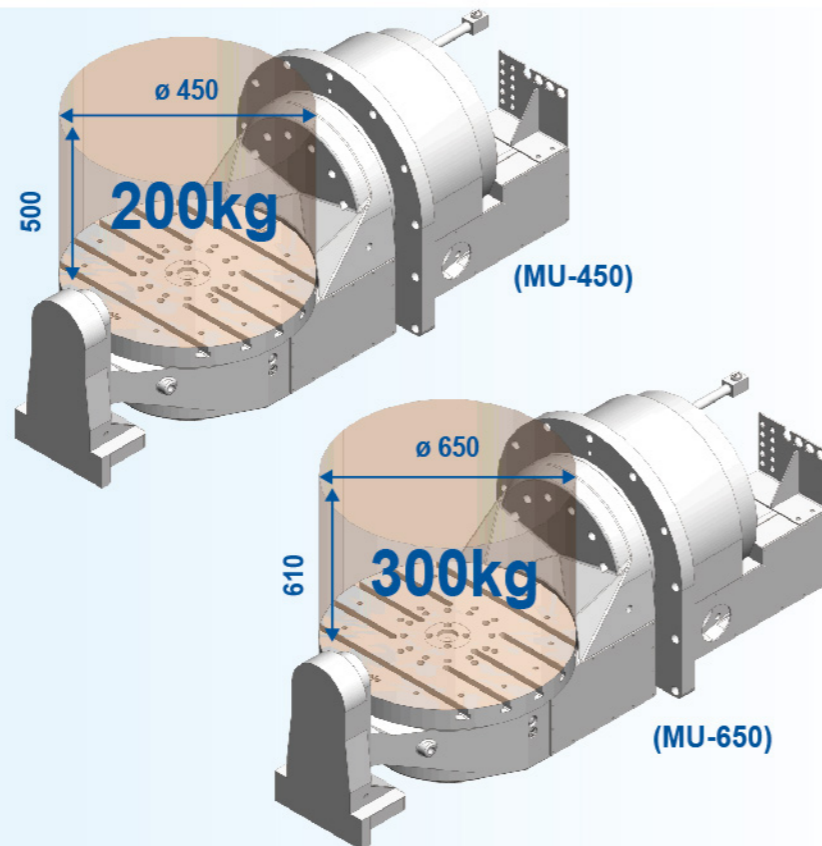
Coolant in

Max. spindle speed
12000 rpm
 15000 rpm (optional)

ROTARY TABLE

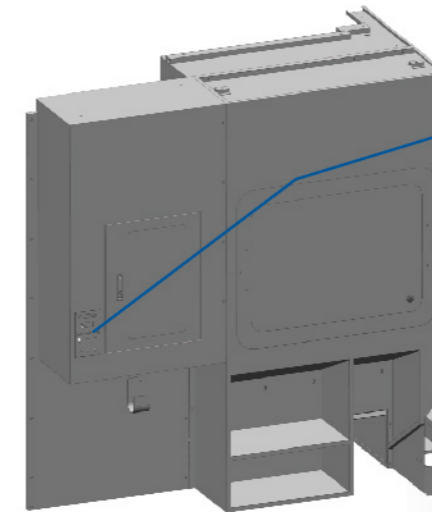
Max. table size
 φ450x500mm(MU-450)
 φ650x610mm(MU-650)

Max. Loading capacity
 200kg(MU-450)
 300kg(MU-650)



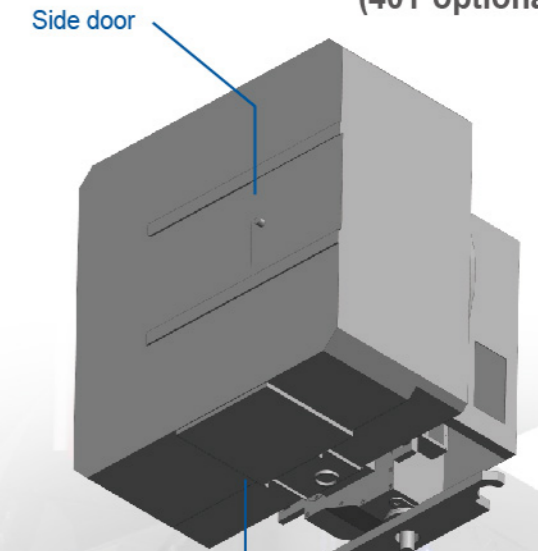
TOOL MAGAZINE

- Spindle side and tool magazine side tool change are both available.
- 40T tool magazine has tool number and tool selection display panel.
- Faster tool changer.



Tool number &
 Tool selection
 display panel

Side door
30 T
 (40T optional)

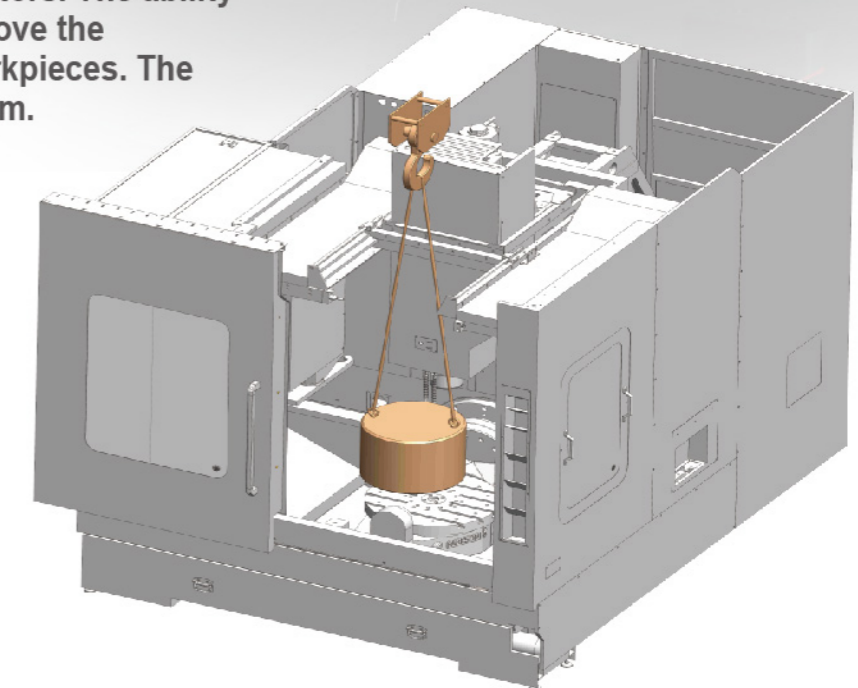


Auto-Door of Tool
 Magazine

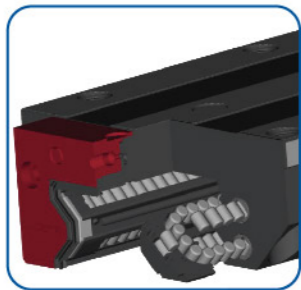
LARGE WORKPIECE FRIENDLY

- * The top front cover can be opened to ensure the efficiency and the safety of operators. The ability to open up the top cover will remove the limitation on machining large workpieces. The opening width can go up to 530mm.

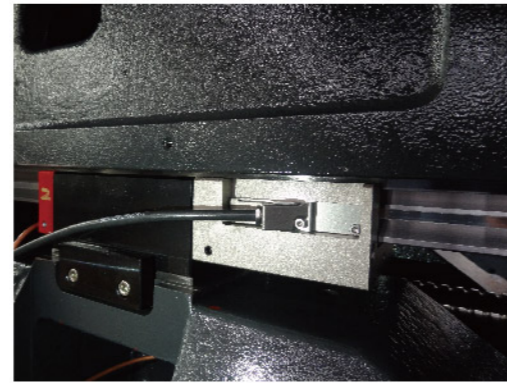
The sliding door has no door trace, the opening width can go up to 1180mm. The large opening space ensure the easiness when loading/uploading the workpiece.



HIGH RIGIDITY TRANSMISSION



Schneberger

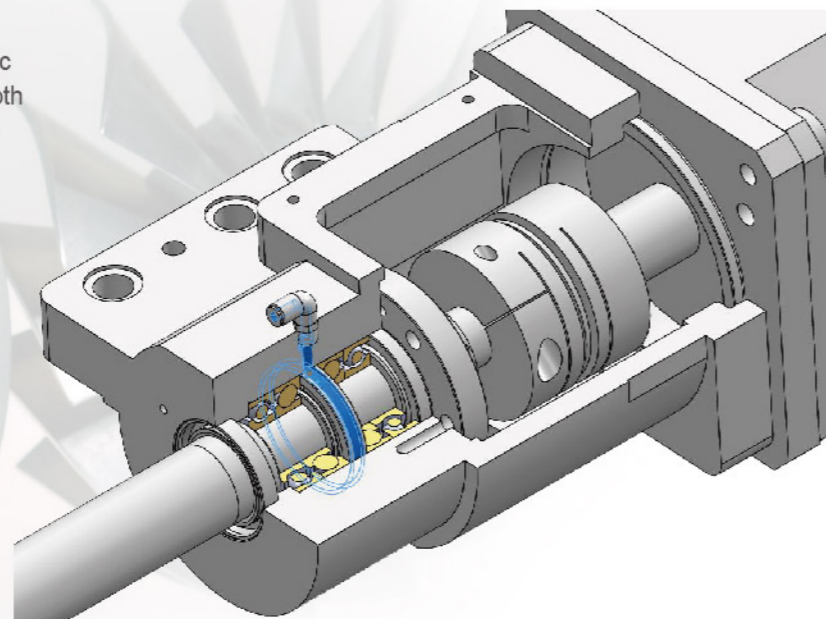


Magnetic scale system

Magnetic scale do not have to consider the use of harsh environments, cutting oil, coolant and other environments can be determined.

Roller type linear guideway

Exceptional rigidity, high dynamic and static load-carrying capacities, outstanding smooth running and a fully sealed carriage are the main features of the Roller Guideway.



4 sets of bearings transmission system design

For long machining work hours, use 4 sets of bearings design, offered high rigidity and ensure the transmission system's reliability.

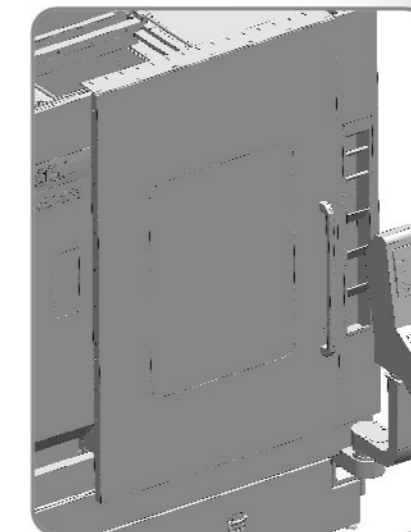
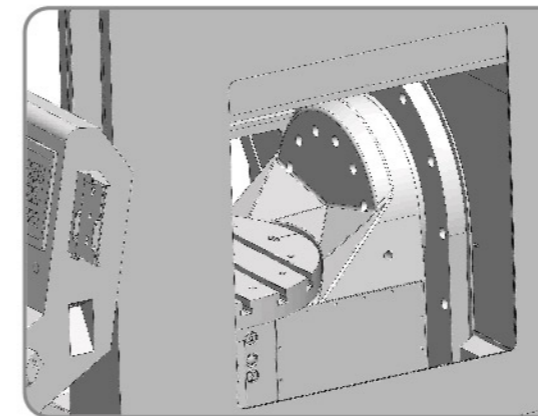
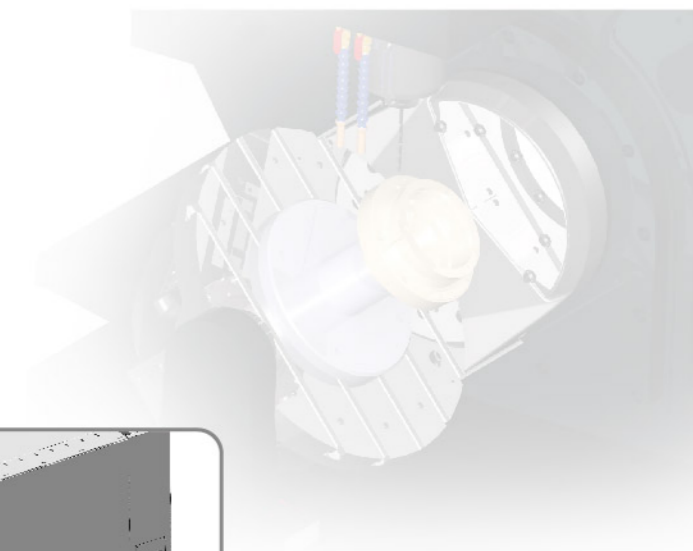
Three Axis Bearing Oil Lubrication System

All three axis, and the bearing all have the automatic lubrication system installed. The life of the parts will be prolonged with this system. Not only get better rigidity, also reduce the thermal elongation.

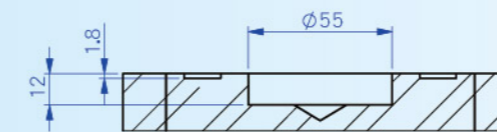
AUTO DOOR (OPTIONAL)

Automation Preparation

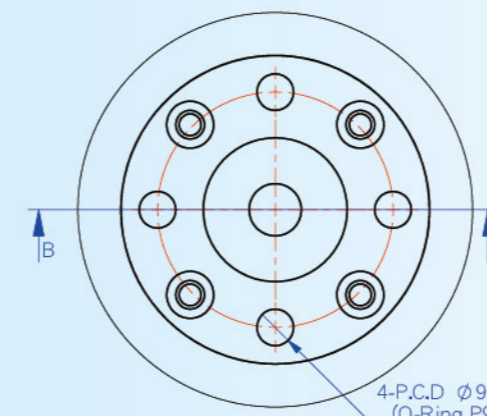
- The front side auto-door with the robot can reach loading/unloading automatically function.
- Side auto-door arranged for customer's pallet automation requests.



FIXTURE PREPARATION (OPTIONAL)

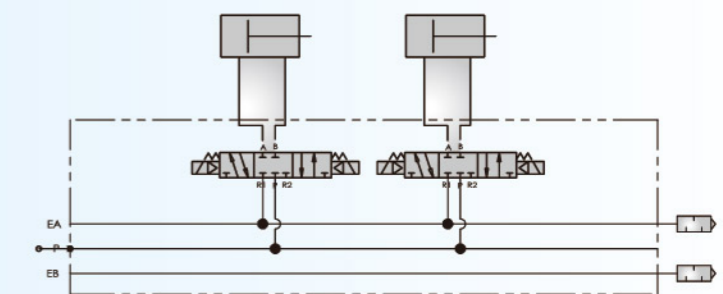


SECTION: B-B
PROPORTION:(1:2)



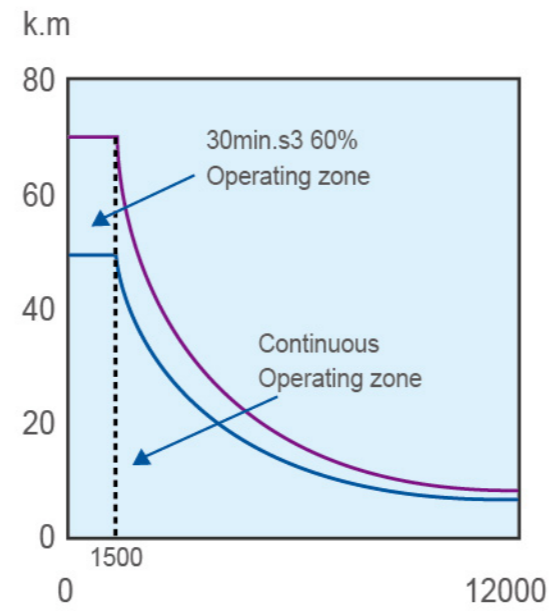
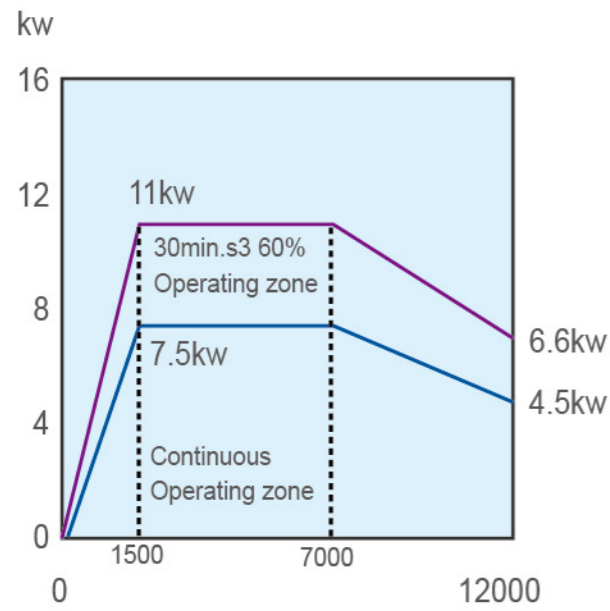
Fixture Preparation

- Pneumatic or Hydraulic available.
- Two in and two out capacity.



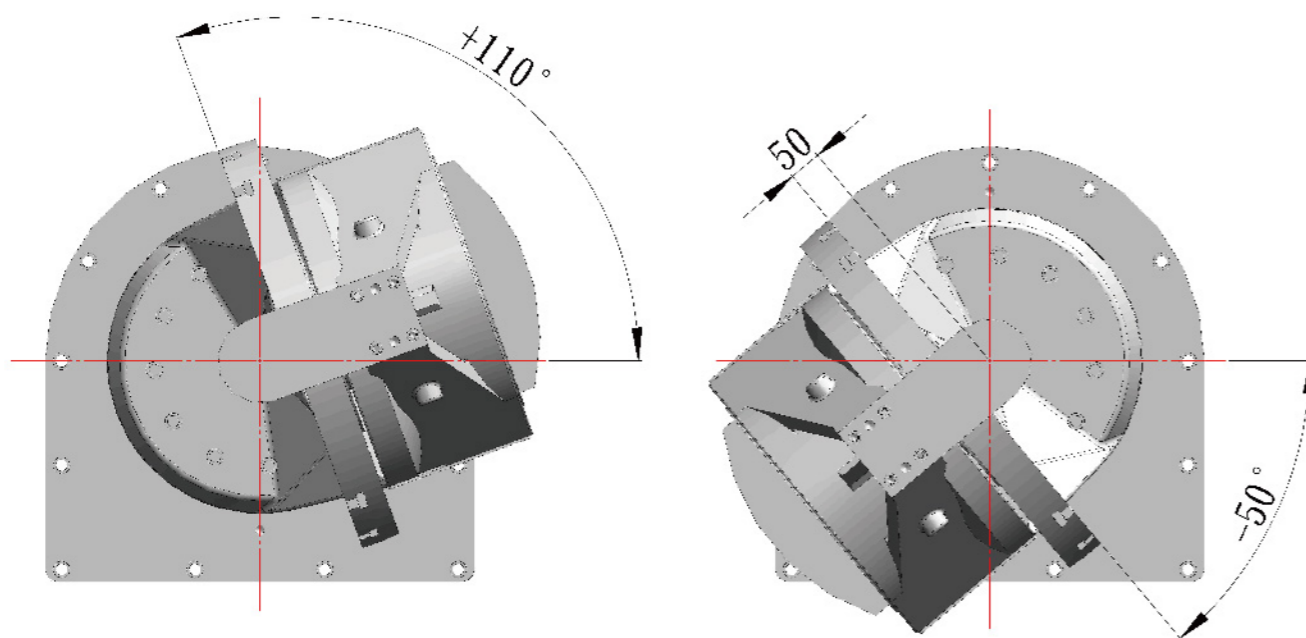
SPINDLE MOTOR POWER CURVE

30min/cont.: 12000 rpm



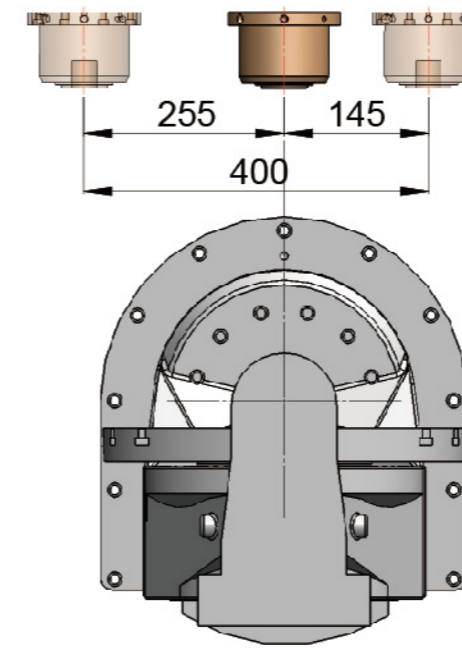
TILTING ANGLE RANGE

B AXIS

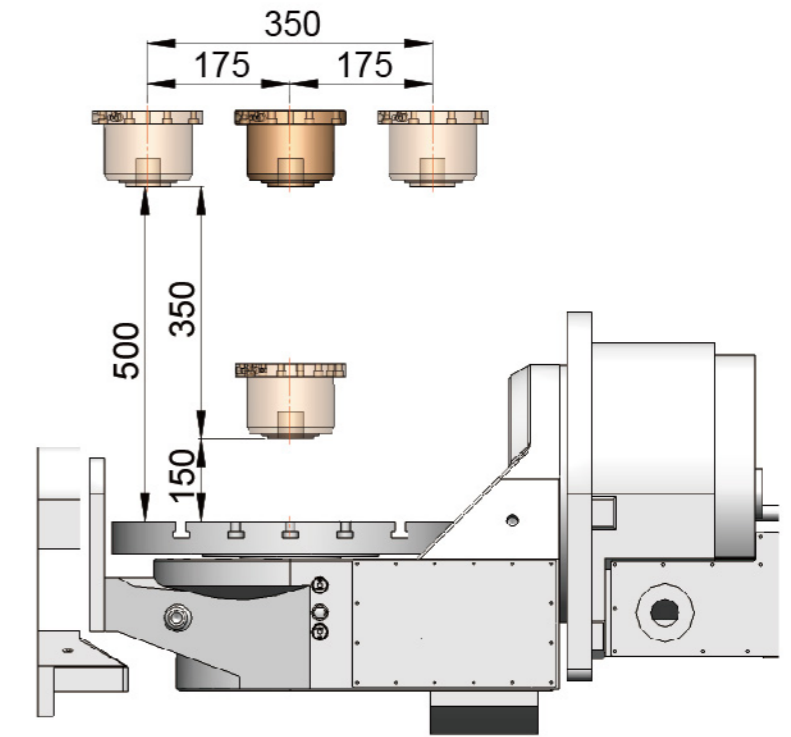


MACHINING AREA

MU-450

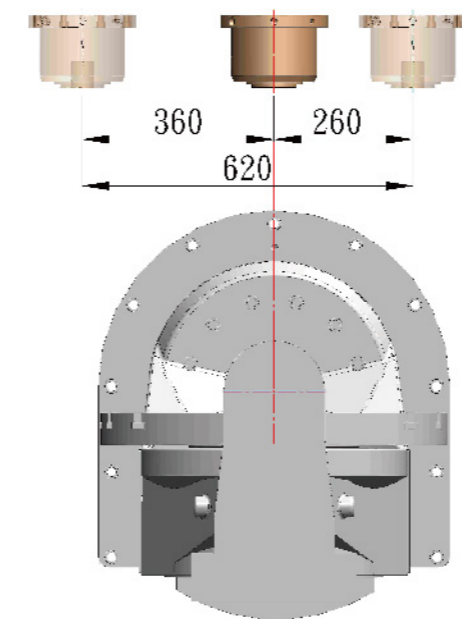


X axis travel

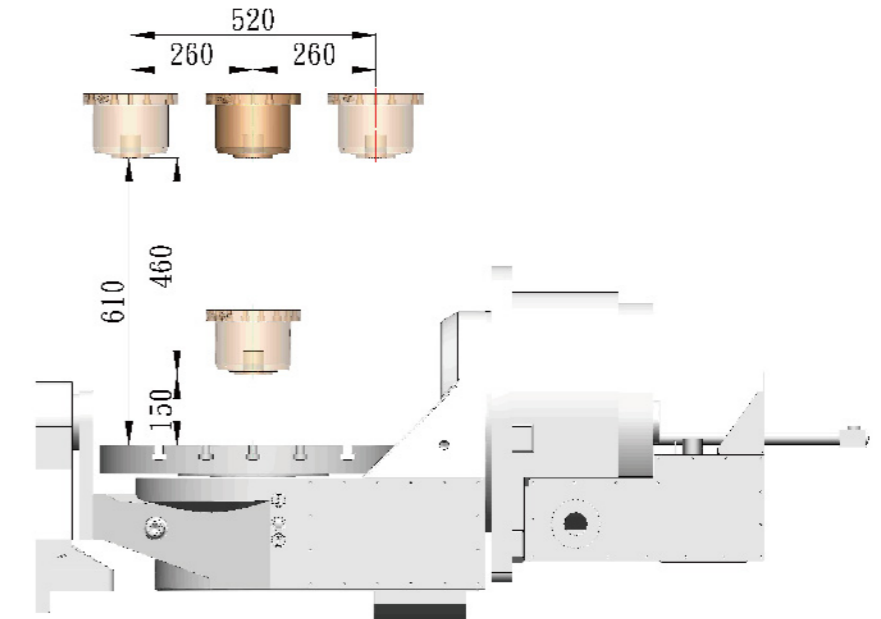


Y/Z axis travel

MU-650



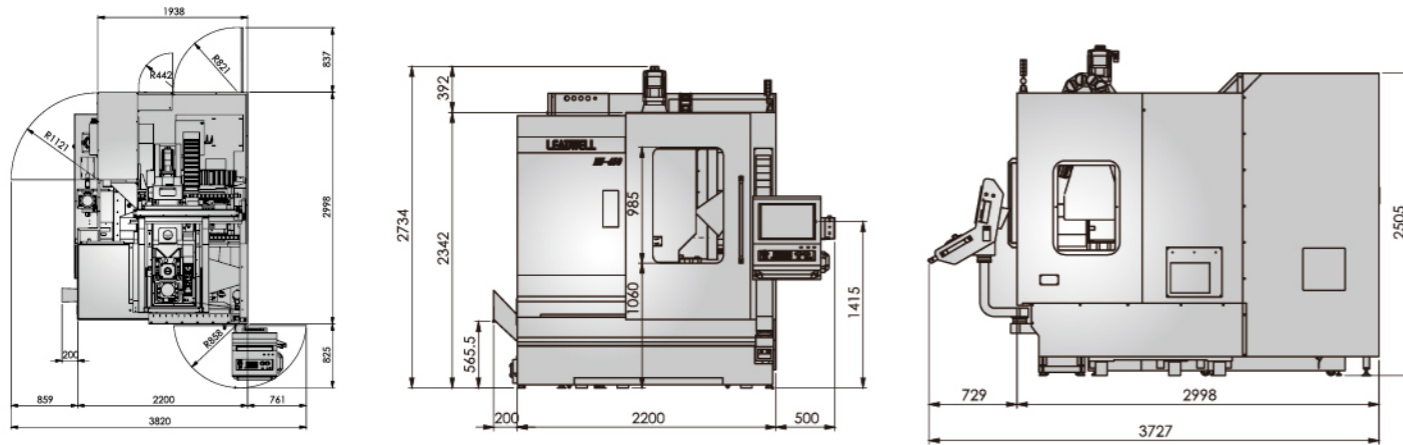
X axis travel



Y/Z axis travel

OUTLINE DIMENSIONS

MU-450



MU-650

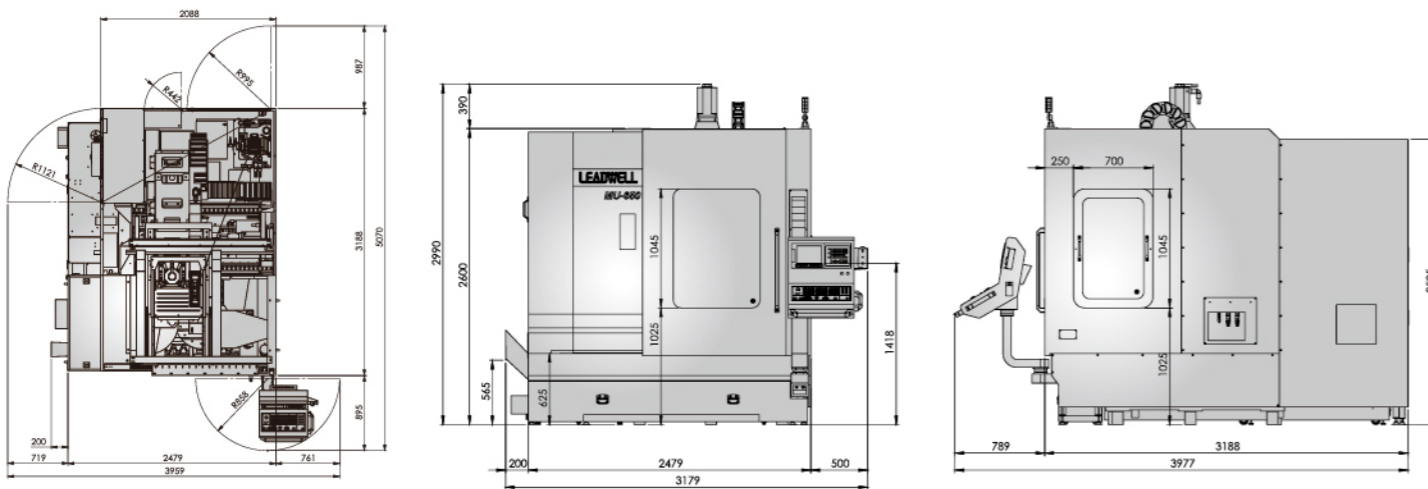
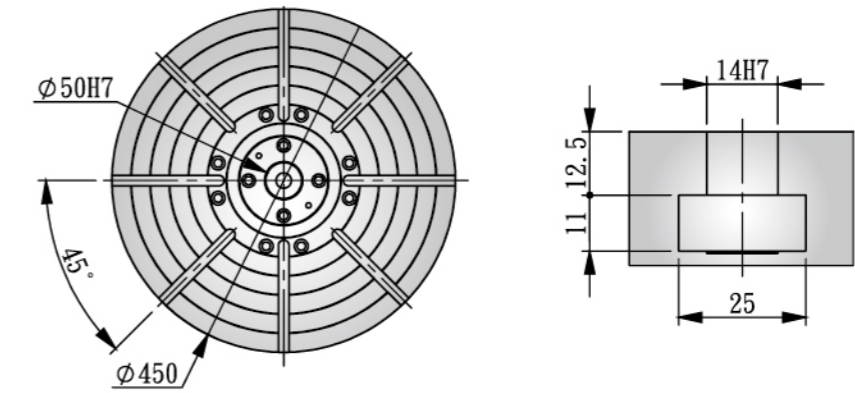
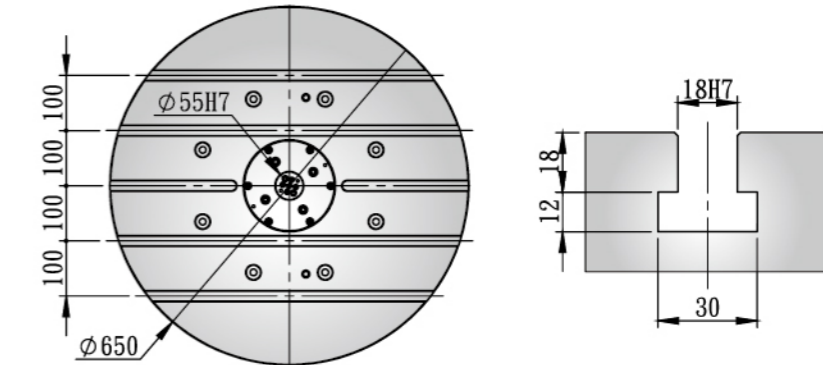


TABLE DIMENSIONS

MU-450



MU-650



LEADWELL SMART PROCESSOR

More than a machine

Leadwell is never simply about building a machine and to launch onto the market. Our years of experience, we learn that the right programs must be developed to ensure the competitiveness of the users.



Pre-machining setting

It contains the function that the operator will frequent use before the operations. This including the coordinates setting, tool measurement, tool magazine measurement, and the calculator function.



Machining setting

It includes the parameter data setting, and all the other statistics of the machines; such as the accumulated machining time, and the tool management.



Leadwell Assistor

The assistor contains the functions to help the user to optimize the machine setting.



Maintenance

Operators would be able to gain the current status of the machine, and to access the internet to obtain more useful information.

14 difference useful functions



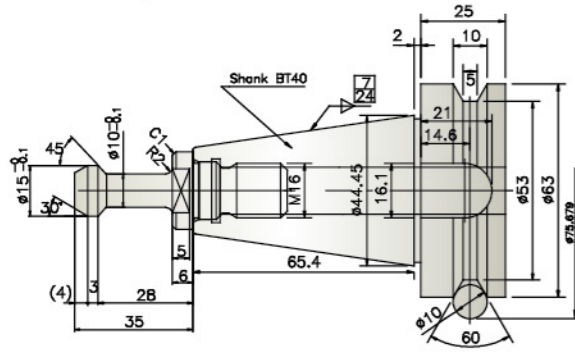
TABLE DIMENSIONS/TOOL SHANK

MACHINE SPECIFICATIONS

Pull Stud

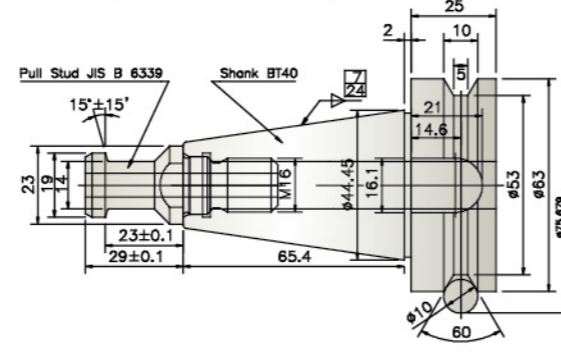
Standard

BT 40 FOR STANDARD



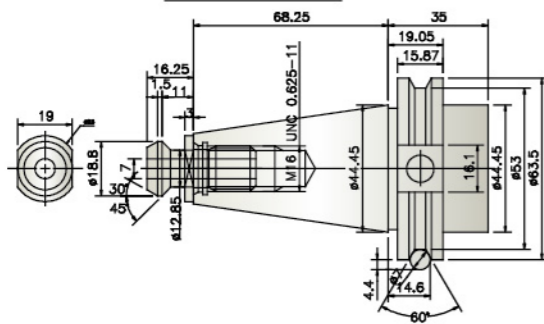
Optional

BT 40 FOR CTS

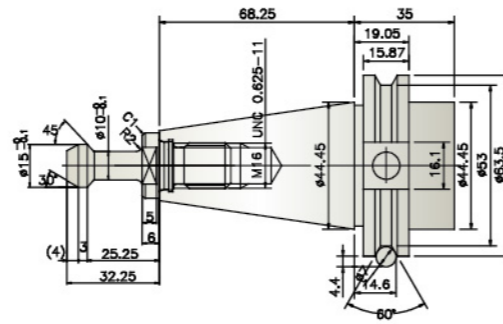


Optional

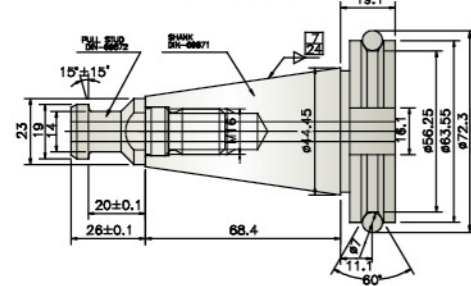
CAT 40 FOR CTS



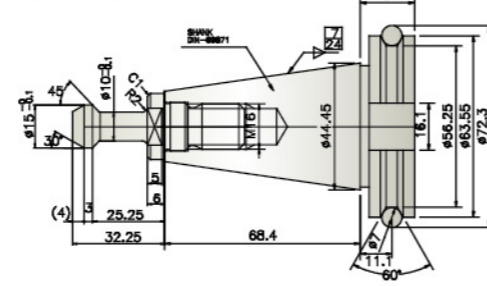
CAT 40



DIN 40 FOR CTS



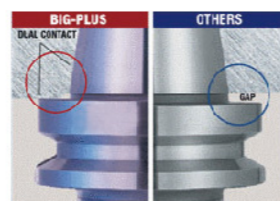
DIN 40



Cartridge Type Spindle



BBT Two face contact



ITEM	MODEL	Unit	MU-450	MU-650
TRAVEL				
X axis		mm(in)	400(15.7)	620(24.4)
Y axis		mm(in)	350(13.8)	520(20.5)
Z axis		mm(in)	350(13.8)	460(18.1)
Distance from table top to spindle end		mm(in)	150-500(6-19.7)	150-610(6-24)
TABLE				
Table size		mm(in)	φ450(φ17.7)	φ650(φ25.6)
Max. table load weight		Kg	200(0°)/150(90°)	300(0°)/200(90°)
Table working surface configuration		mm(in)	14T×45×8	18T×100×5
Tilting angel range		Degree	+110°~-50°	+110°~-50°
SPINDLE				
Spindle speed		rpm	12000	12000
Spindle nose (Normal size, no.)			7/24 Taper, NO.40	7/24 Taper, NO.40
Max. spindle torque		N.M(ft.lbf)	70(714)	70(714)
FEED RATE				
Rapid traverse X/Y/Z		m/min(IPM)	48(1890)	36(1417)
Cutting feed rate X/Y/Z		m/min(IPM)	10(394)	10(394)
ATC				
Tool storage capacity		pcs	30	30
Max. tool diameter(with adjacent tools)		mm(in)	80(3.15)	80(3.15)
Max. tool diameter(without adjacent tools)		mm(in)	150(4.3)	150(4.3)
MOTORS				
Spindle motor (30min)		kw(hp)	11(14.7)	11(14.7)
X/Y/Z axis feed motor		kw(hp)	4(5.4)	4(5.4)
B axis feed motor		kw(hp)	7(9.3)	6(8)
C axis feed motor		kw(hp)	2.7(3.6)	3(4)
MACHINE SIZE				
Height of machine (H)		mm(in)	2850(122)	2990(117.7)
Floor space (LXW)		mm(in)	2200X3000(86.6X118)	2479X3188(97.6X125.5)
Total machine weight		Kg	8000(17600)	10000(22000)
Power requirement		KVA	35	35
Controller		FANUC		0I-M

*AVAILABLE CONTROLLER:SIEMENS/MITSUBISHI/HEIDENHAIN

Control Panel OPTION



FANUC



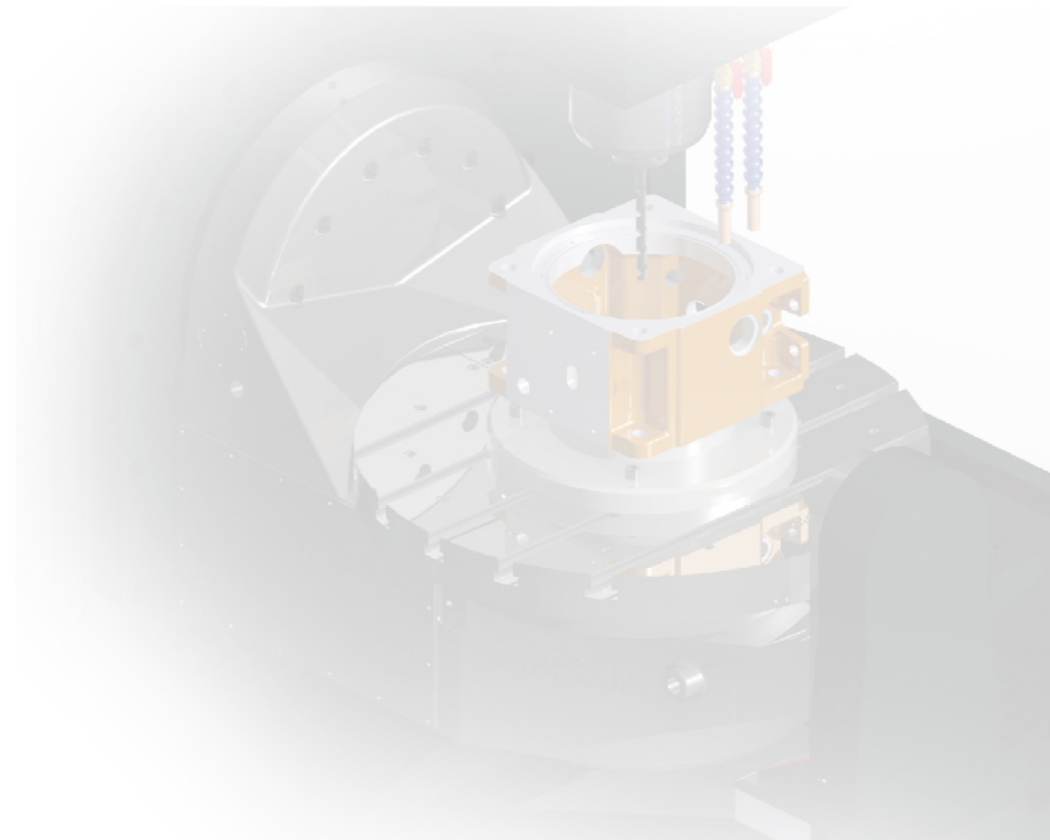
SIEMENS



MITSUBISHI

NO.	Description	MU-450	MU-650
01	Full enclosure guarding	●	●
02	Chip conveyor(auger type)	●	●
03	Work light	●	●
04	Alarm lamp	●	●
05	Heat exchanger	●	●
06	Rigid tapping	●	●
07	Auto counter for work piece	●	●
08	Remote MPG	●	●
09	Surrounding coolant system	●	●
10	Spindle oil chiller	●	●
11	Spindle air outer blow	●	●
12	Pneumatic preparation for fixture	●	●
13	C.T.S from A	■	■
14	10000rpm spindle	■	■
15	12000rpm spindle	●	●
16	Linear scale	■	■
17	Tool overload detection	■	■
18	Auto tool length measurement	■	■
19	Auto workpiece measurement	■	■
20	Simple tool life management	■	■
21	Chip conveyor with bucket	■	■
22	Oil skimmer	■	■
23	Coolant gun	■	■
24	Air conditioner	■	■
25	Through hole drill kit	■	■
26	DNC link software	■	■
27	Programmable nozzle	■	■
28	Programmable air blow	■	■
29	Spindle annular coolant jet	■	■
30	Auto door	■	■
31	ARM ATC 40T	■	■
32	15000rpm spindle	■	■

● :Standard ■ :Optional X: N/A



MEMO
